

Low Power LED Controller for LLC converters

Features

- Advanced LED Controller IC for high efficiency low-cost LLC converters with bipolar transistors and integrated PFC
- PSR - +/-3% Primary Side Regulation of LED current and voltage with no Flicker
- Overtemperature output current foldback for high temperature survival
- Lowest output current ripple <0.3%. Flicker Index typically 0.0004
- Automatic dead-time control and capacitive mode protection
- Protection modes:
 - Overload
 - No-Load
 - Over-temperature fault latch & output current foldback
- Small SOT23-6 IC package



SOT23-6

Applications

- LED T8 tube drivers
- High frequency CC LED drivers up to 45W
- Pin compatible with RED2402 & RED2422

Order code

Part Number	Package	Packaging
RED2432AL-TR7	SOT23-6	Tape and reel

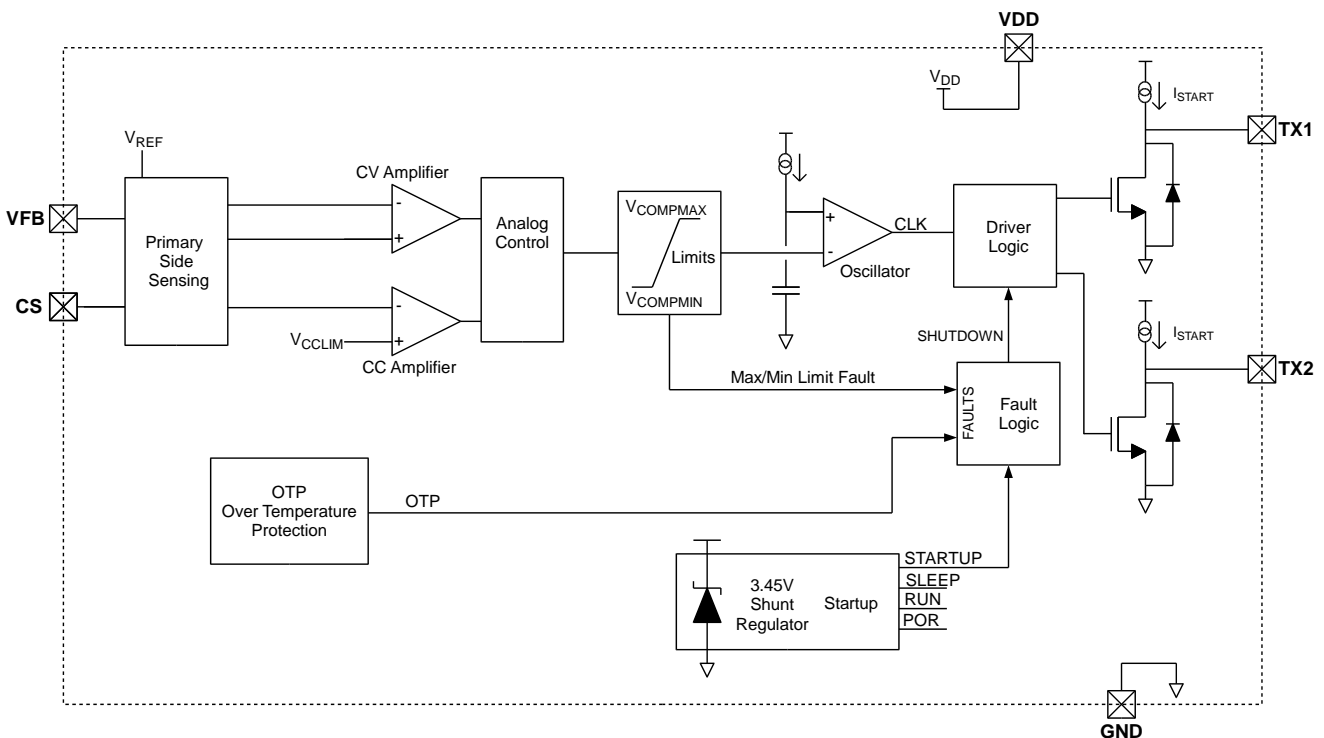


Figure 1: Block diagram

Device Pins

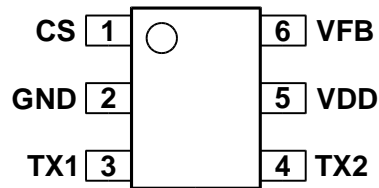


Figure 2: SOT23-6 pin connections (top view)

Pin Functions

Pin #	Name	Function
1	CS	PSR Current Sense input provides output current regulation and cycle-by-cycle over-current protection. The CS pin is connected to the half-bridge current sense resistor
2	GND	Chip ground.
3	TX1	Output to control transformer.
4	TX2	Output to control transformer.
5	VDD	IC Power Supply pin – nominally 3.45V
6	VFB	PSR Feedback input for output voltage regulation. Connect to primary sense winding.

Typical Application

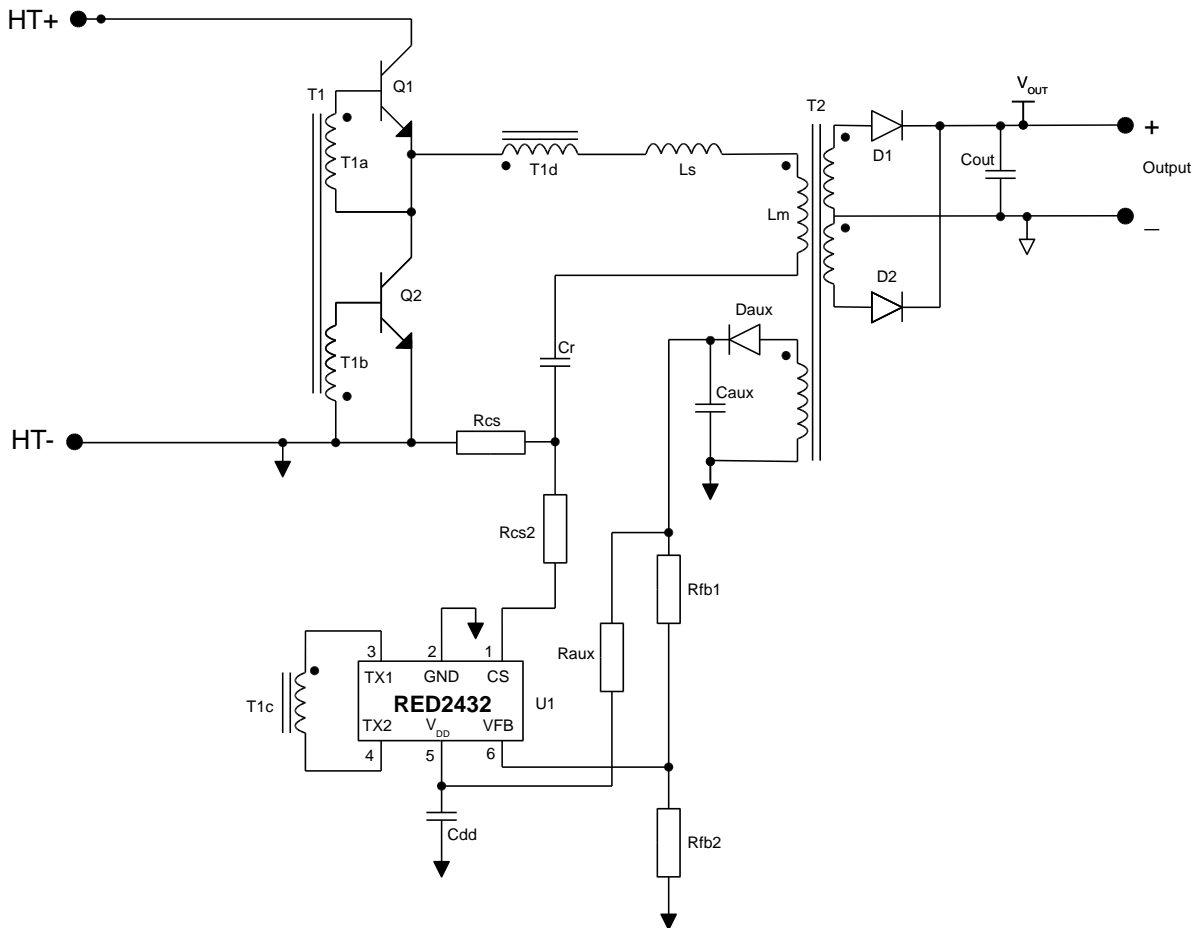


Figure 3: Typical Application Schematic: LLC converter with RED2432 PSR controller

Features

RED2432 is an advanced CMOS control IC for resonant LLC converters and is intended for low power LED drivers up to 40W. The RED2432 Primary Side Regulation (PSR) control scheme accurately controls the LED current and removes the need for secondary side opto-coupler feedback, reducing cost and complexity.

RED2432 uses the CSOC (Controlled Self-Oscillating Converter) scheme to drive two low-cost bipolar transistors in a half-bridge configuration. RED2432 is optimized to work with RediSem's LLC converter topology with integrated Power Factor Correction.

Please contact RediSem for application design information for LED drivers with PFC.

Accurate Primary Side Regulation

The RED2432 PSR scheme regulates the LED drive current by modulating the converter frequency. Primary side current control enables +/-5% LED current regulation. With the LED

disconnected, the RED2432 controls the maximum output voltage and enters fault-mode operation to keep the output voltage from rising and to keep the power consumption low.

Protection Features

The IC is able to detect a number of faults that cause the IC to enter a fault mode:

- Output Open circuit (no LED connected)
- Output short circuit
- Over-temperature foldback fault latch

During these fault conditions, the IC will continually attempt to re-start. Between each re-start attempt there will be 16 dummy re-starts when the IC re-starts while the converter is off.

If the output is short-circuit, the auxiliary power to the IC fails and the IC shuts down. The IC detects this and when it next re-starts, it does so at half output current. It continues to do so until the short has been removed. If the fault is removed, the IC will automatically return to full output current.



The IC also has an instantaneous cycle-by-cycle over-current protection (OCP) level that will terminate any cycle instantaneously should the current exceed a pre-set level.

Over-temperature Foldback & Fault latch

The RED2432 Over-temperature foldback occurs when the IC temperature reaches 125°C. Between 125 & 130°C the IC reduces the output current from 100% down to 50%. If the temperature continues to rise, the IC will latch a fault. It will restart the converter when the IC temperature drops by 10°C.

Automatic Dead-Time Control

An important feature of the Controlled Self Oscillating Converter is that the dead-time is

controlled naturally. Unlike MOSFET half-bridge converters, it is not necessary to program the dead-time on RED2432. The bipolar switching transistors are turned on correctly through the self-oscillation of the converter and turned off by RED2432. This greatly simplifies the design process and improves the robustness of the LLC converter.

Capacitive Mode Protection

RED2432 includes a capacitive mode protection feature which prevents the converter from entering capacitive switching mode on a cycle-by-cycle basis by limiting the minimum frequency. This always ensures the Controlled Self Oscillating Converter continues to oscillate correctly.

IC Operation

Startup, Shutdown and re-start

Figure 4 shows typical startup waveforms for RED2432. In SLEEP mode the I_{DD} current is approximately 8uA ($I_{DD\text{SLEEP}}$). Once VDD reaches 3.7V ($V_{DD\text{START}}$) the IC enters STARTUP mode and the controlled Zener clamp inside the IC regulates the VDD voltage to 3.45V ($V_{DD\text{REG}}$). During the initial period of approximately 40ms (2048 cycles) Vdd is allowed to drop to 2.4V. This

gives time for the application to pull up the output voltage. After this the IC enters RUN mode. The IC current is now approximately 0.7mA ($I_{DD\text{REG}}$) plus any excess current required to clamp VDD to 3.45V. If VDD falls below 3.45V ($V_{DD\text{REG}}$) the Zener clamp turns off and I_{DD} reduces to 0.7mA ($I_{DD\text{REG}}$) only. If VDD falls below 3.0V ($V_{DD\text{SLEEP}}$), the IC enters SLEEP mode. In this condition I_{DD} reduces to 8uA. ($I_{DD\text{SLEEP}}$).

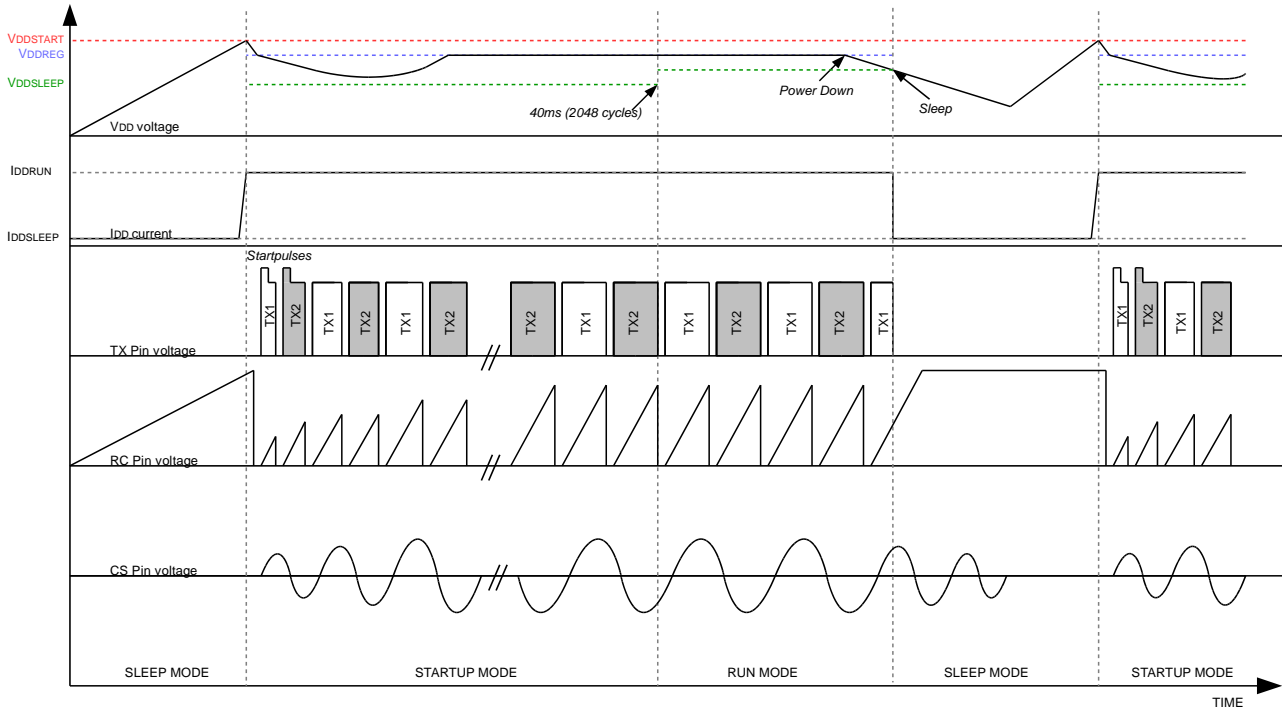


Figure 4: IC Start-up waveforms

Output stage

A diagram of the output stage can be seen in Figure 5. To start the converter oscillating the RED2432 issues start pulses through the TX pins during the first two cycles. These start pulses are 800ns long ($t_{TX\text{START}}$) and provide 13mA ($I_{TX\text{START}}$) current pulses from both TX1 and TX2 pins. After this the converter self-oscillates and no longer needs start pulses to maintain oscillation. A low

on-state NMOS transistor is used to turn the bipolar transistors off. It is controlled by the oscillator off-time. The NMOS device is turned to pull TX pin low, which switches off the corresponding bipolar transistor in the power converter half-bridge.

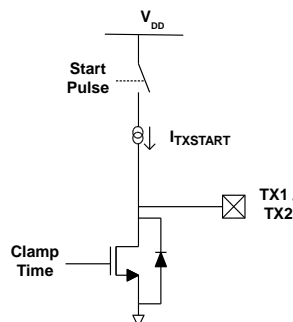


Figure 5: Output Stage

Primary Side Regulation (PSR)

The converter's output current and voltage are estimated by the RED2432 PSR scheme. Inside the IC there are two separate control loops that control the converter output current (in CC mode) and voltage (in CV mode). The RED2432 regulates the output current and voltage by

controlling the frequency. A control voltage is fed into the oscillator to give the desired operating frequency. Figure 6 shows the configuration of both the current and voltage error amplifiers and their compensation networks.

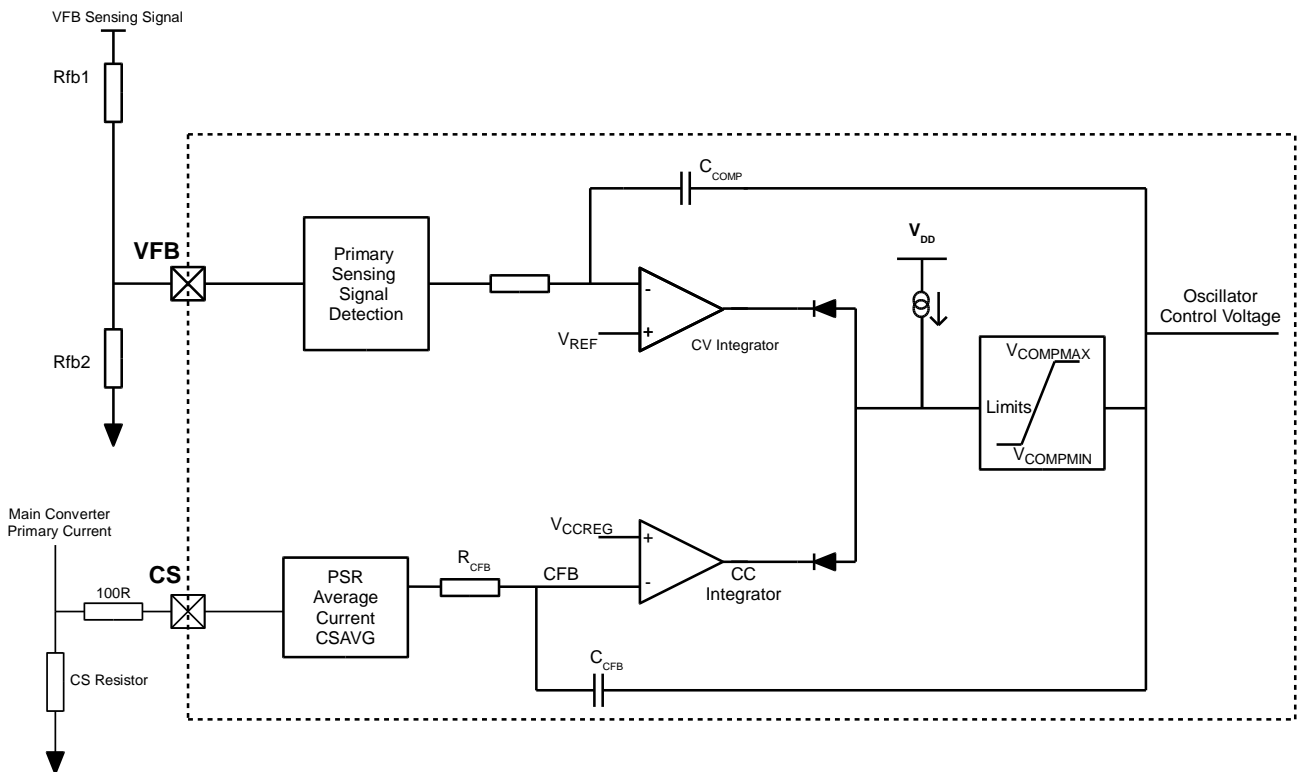


Figure 6: Error Amplifier Circuits

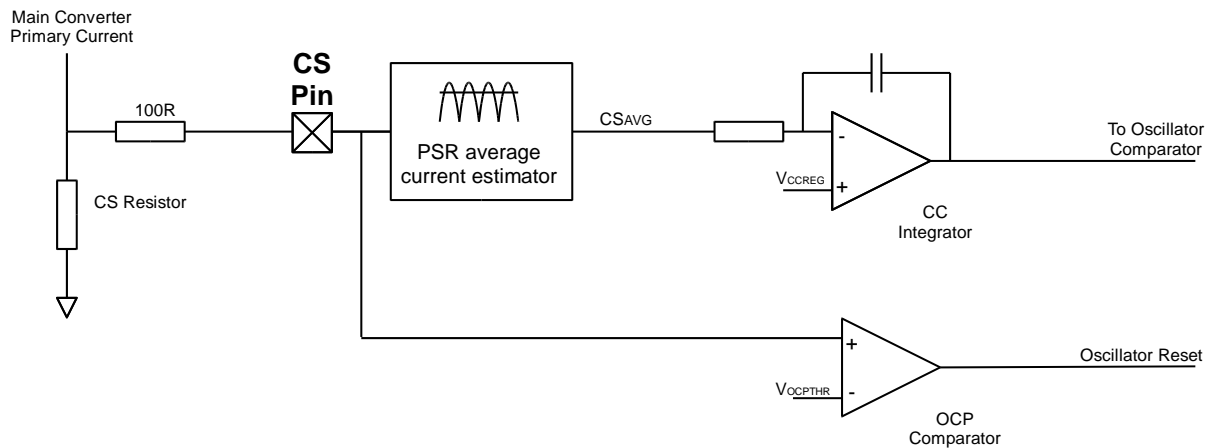


Figure 7: RED2432 Current protection and control circuits

PSR Current Control

Figure 7 shows the two current control methods used in the converter:

1. constant current (CC) regulation;
2. an instantaneous peak current limit (OCP).

PSR Average current estimation

Shown in figure 7 the signal from the CS pin is divided into two different paths. The bottom path provides peak instantaneous over-current protection (OCP) while the PSR Average Current estimation block provides the current regulation (CC) information. The voltage on the CS pin is an AC signal biased around GND. Inside the PSR block this signal is processed to provide a voltage proportional to the average converter output current.

Constant Current Regulation

The CC regulation circuit is shown in Figure 7. CC operation is defined by an internally compensated control loop. This provides a system response time of approximately 300us in a typical application. The average current regulation point, V_{CCREG} is pre-set to 150mV, referred to the CS pin.

Over Current Protection

Over-Current Protection (OCP) is an instantaneous termination of the current oscillator cycle and the transistor on-time. When a peak voltage greater than 500mV (V_{OCPTHR}) is sensed on the CS pin the OCP comparator terminates the current oscillator on-time cycle. The oscillator is reset and the off-time begins resulting in the bipolar transistors turning off and the half-

bridge commutating. This is repeated in subsequent cycles whenever the CS voltage exceeds the threshold. However, in a correctly designed converter it should not be possible to trip OCP in normal operation.

PSR Voltage Control

The RED2432 voltage control loop is used to control the maximum LED converter output voltage. The VFB input senses the output voltage from an auxiliary winding on the primary side of the transformer. This signal is conditioned in the PSR block and compared to a voltage reference of 1.202V (V_{REF}) inside the IC. If the voltage exceeds 1.2V RED2432 will enter shutdown.

In a constant current LED application the VFB voltage will normally be below the 1.2V regulation point V_{REF} as the CC control loop determines the COMP voltage. If the LED voltage is too high, or the LED becomes disconnected, the CC loop is not in control and the VFB voltage will rise to the 1.2V V_{REF} control voltage. At that point RED2432 will shut down and enter fault mode, re-starting regularly to check if the fault has been removed.

Oscillator

The RED2432 includes an internal oscillator which is used to control the switching frequency of the converter. The maximum and minimum frequency limits are pre-set inside the IC and have been chosen to suit a low power CSOC converter. The oscillator ramp is compared to an internal control voltage to produce the correct frequency required to regulate the converter



ABSOLUTE MAXIMUM RATINGS

CAUTION: Permanent damage may result if a device is subjected to operating conditions at or in excess of absolute maximum ratings.

Parameter	Symbol	Condition	Min	Max	Unit
Supply voltage	V _{DD}	SLEEP mode: self-limited by IC start-up (V _{DDSTART})	-0.5	4.5	V
Supply voltage	V _{DD}	RUN mode: Self-limited by internal shunt regulator	-0.5	4.0	V
Supply current	I _{DD}		0	10	mA
Input/output voltages	V _{IO}		-0.5	V _{DD} + 0.5	V
Input/output currents	I _{IO}		-10	10	mA
Junction temperature	T _J	T _{J,MAX} limited by OTP (T _{OTPS_MAX})	-20	+135	°C
Storage temperature	T _P		-20	+125	°C
Lead temperature	T _L	Soldering, 10 s		260	°C
ESD withstand		Human body model, JESD22-A114		2	kV
		Capacitive Discharge Model		500	V

NORMAL OPERATING CONDITIONS

Unless otherwise stated, electrical characteristics are defined over the range of normal operating conditions. Functionality and performance is not defined when a device is subjected to conditions outside this range and device reliability may be compromised.

Parameter	Symbol	Condition	Min	Typ	Max	Unit
Minimum supply current	I _{DDMIN}		0.8	1.0	1.2	mA
Junction temperature	T _J		-20	25	130	°C

ELECTRICAL CHARACTERISTICS

Unless otherwise stated:

- Min and Max electrical characteristics apply over normal operating conditions.
- Typical electrical characteristics apply at T_J = T_{J(TYP)} and I_{DD} = I_{DDREG(TYP)}.
- The chip is operating in RUN mode.
- Voltages are specified relative to the GND pin.

VDD Pin

Parameter	Symbol	Condition	Min	Typ	Max	Unit
Supply voltage	V _{DDSTART}	Enter RUN mode from SLEEP	3.2	3.7	4.2	V
	V _{DDREG}	I _{DD} < I _{DDSHUNT}	3.3	3.45	3.6	V
	V _{DDSLEEP}	To enter SLEEP mode	2.8	3.0	3.2	V
Supply current	I _{DDREG}	In RUN mode, V _{DD} < V _{DDREG}		0.7	0.8	mA
	I _{DDSLEEP}	In SLEEP mode		8	12	µA
	I _{DDSHUNT}	V _{DD} shunt regulator max current			8	mA



RED2432 LED LLC Controller

VFB Pin

Parameter	Symbol	Condition	Min	Typ	Max	Unit
VFB threshold voltage	V _{REF}	T _J = 0°C to 85°C, V _{DD} =3.45V	1.15	1.20	1.25	V

CS Pin

Parameter	Symbol	Condition	Min	Typ	Max	Unit
Constant current regulation	V _{CCREG}	DC CS signal. T _J = 0°C to 85°C	154	158	162	mV
Instantaneous over-current protection threshold	V _{OCP} THR			500		mV

TX1, TX2 Pins

Parameter	Symbol	Condition	Min	Typ	Max	Unit
On-state resistance	R _{TXON}				2	Ω
TX pin clamp current	I _{TXCLAMP}	TX pin frequency >30kHz			500	mA
Start-pulse output current	I _{TXSTART}	TX pin voltage 2V		13		mA
Start-pulse width	T _{TXSTART}			800		ns

Oscillator

Parameter	Symbol	Condition	Min	Typ	Max	Unit
Nominal oscillator frequency range			<51		>170	kHz

Over-Temperature Protection (OTP) *

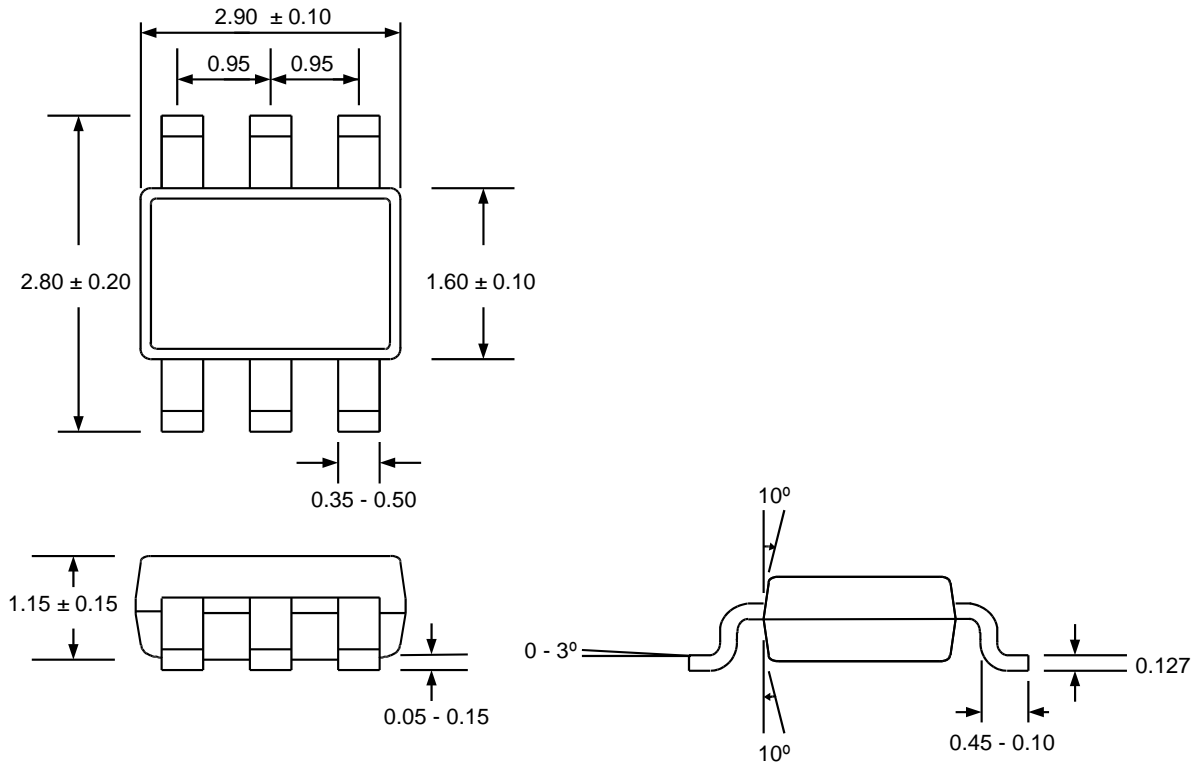
Parameter	Symbol	Condition	Min	Typ	Max	Unit
Over-Temperature Foldback threshold	T _{OTFS}	At silicon junction	115	125	135	°C
Over-Temperature Protection threshold	T _{OTPS}	At silicon junction	120	130	140	°C
Over-Temperature Protection reset hysteresis	T _{OTP_HYS}	At silicon junction		10		°C

*: not tested in production

PACKAGE INFORMATION

Package Dimensions

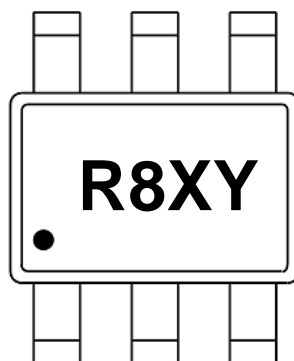
SOT23-6 package dimensions are shown below. All units are in mm.



Available packages

Package type	Part number	Moisture Sensitivity Level (MSL)	Packaging
SOT23-6	RED2432AL-TR7	3 (JEDEC J-STD-020)	Tape and reel 3000 / 7" reel

Package Marking



SOT23-6 top side marking for RED2432

R8XY:
R8 = RED2432
XY = Lot Code starting with AA, then AB, AC etc.



Status

The status of this Datasheet is shown in the footer.

Datasheet Status	Product Status	Definition
Preview	In development	The Datasheet contains target specifications relating to design and development of the described IC product.
Preliminary	In qualification	The Datasheet contains preliminary specifications relating to functionality and performance of the described IC product.
Production	In production	The Datasheet contains specifications relating to functionality and performance of the described IC product which are supported by testing during development and production.

Contact Details

RediSem Ltd.
301-302 IC Development Centre
No 6 Science Park West Avenue
Hong Kong Science & Technology Park
Shatin, New Territories
Hong Kong

Tel. +852 2607 4141
Fax. +852 2607 4140
Email: info@redisem.com
Web: www.redisem.com

Disclaimer

The product information provided herein is believed to be accurate and is provided on an “as is” basis. RediSem Ltd assumes no responsibility or liability for the direct or indirect consequences of use of the information in respect of any infringement of patents or other rights of third parties. RediSem Ltd does not grant any licence under its patent or intellectual property rights or the rights of other parties.

Any application circuits described herein are for illustrative purposes only. Specifications are subject to change without notice. In respect of any application of the product described herein RediSem Ltd expressly disclaims all warranties of any kind, whether express or implied, including, but not limited to, the implied warranties of merchantability, fitness for a particular purpose and non-infringement of third party rights. No advice or information, whether oral or written, obtained from RediSem Ltd shall create any warranty of any kind. RediSem Ltd shall not be liable for any direct, indirect, incidental, special, consequential or exemplary damages, howsoever caused including but not limited to, damages for loss of profits, goodwill, use, data or other intangible losses.

The products and circuits described herein are subject to the usage conditions and end application exclusions as outlined in RediSem Ltd Terms and Conditions of Sale.

RediSem Ltd reserves the right to change specifications without notice. To obtain the most current product information available visit www.redisem.com or contact us at the address shown above.